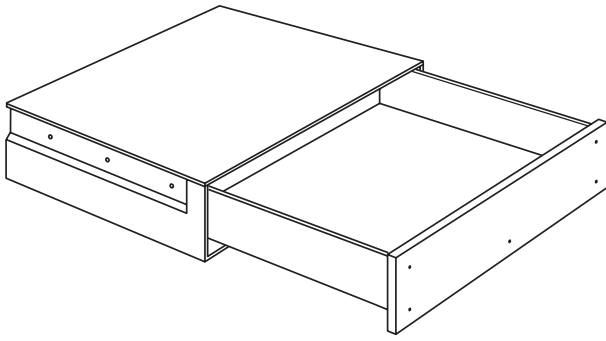


# EverydaySafe

Global article code: P000022619



## MAIN FEATURES

### App connectivity & user management

The EverydaySafe app is available for iOS and Android

### Protection

Burglary resistance – built to a certified EN 14450 construction – S1 level, Faraday; SS 304 Domestic Safe Sold Secure Silver level

### Country of origin

Made in EU

### Installation width

Easy mounting into a width of 556 to 568 mm wide cabinets

### Operation

Simple, fast yet safe access by means of fingerprint sensor

### Colour

Standard colour RAL 7016 anthracite

### Standard inlay

Premium cork mat

## PHYSICAL PROPERTIES

### Overall packaging dimensions (WxDxH)

600 x 550 x 200 mm

### Case dimensions (WxDxH)

551 x 493 x 125 mm

### Wooden front dimensions (WxDxH)

560 x 10 x 140 mm

### Drawer inner dimensions (WxDxH)

500 x 441 x 68 mm

### Inner volume

15 litres

### Case weight

19.5 kg

### Drawer weight

7 kg

### Signature feature

ACROBAT system (patent pending)

### Maximum weight storage

20 kg

## MECHANICAL PROPERTIES & FUNCTIONALITY

### Soft close function

Yes (Blumotion)

### Automatic lock when closing

Yes

### Durability testing

over 25.000 life cycles (opening & closing)

### Time to open

under 5 seconds

### Runner System

Yes (Blum Movento)

Soft close function

## ELECTRONICAL COMPONENTS & CONNECTIONS

### Power lead to mains

230V/ 12V, 1.8m cord length, connected at bottom rear of case

### Power plug

EU or UK

### Fingerprint sensor

Capacitive sensor; IPx7

### In the event of a power cut

9v battery can be connected for short time use at bottom of case by user, data is not erased

### Reset function

Via app

## SECURITY FEATURES

### Safety standards

built to a EN 14450 – S1 standard; Sold Secure Silver level

### Front protection

New proprietary ACROBAT system (Anti-CROW-Bar-Attack) in the front which provide the most efficient protection against front physical attacks in its category

### Locks

Prime locks certified to ECB-S Class B and VDS Class 2

### Faraday protection

protection against data theft at a distance > 10cm

### Code and key encryption

storage in a safe hardware unit (HSM)

### Software & fingerprint sensor testing

Orange Cyberdefence in Malmö (Sweden)

### Fire protection

No

## APP FUNCTIONS & FEATURES

### Connectivity

Wi-Fi and Bluetooth

### Users per safe

1 app user per safe, up to 20 fingerprint users per safe

### Users administration & monitoring

Yes, via the EverydaySafe app

### Factory default settings

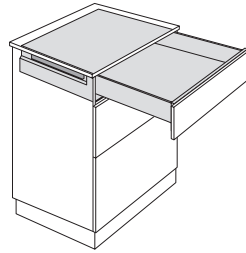
Free opening by any fingerprint

### Activity log

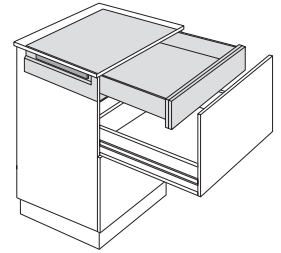
12 months activity log

## INSTALLATION OPTIONS

### Single drawer undercounter



### Drawer-in-drawer

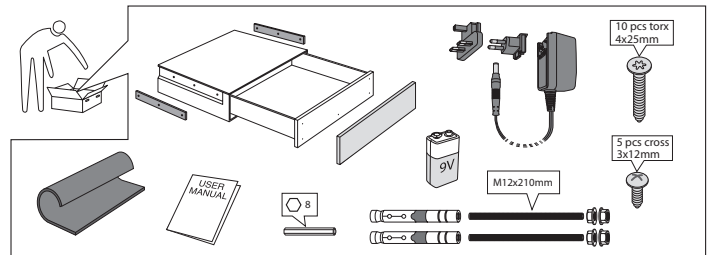


The mounted wooden front is supposed to be flush-fitted with the cabinet. We do not recommend to install The EverydaySafe in direct or close access to a source of heat or water.

## INSTALLATION STEPS

### Unpacking

without turning box upside down, extract from the box, cutting the corners if needed

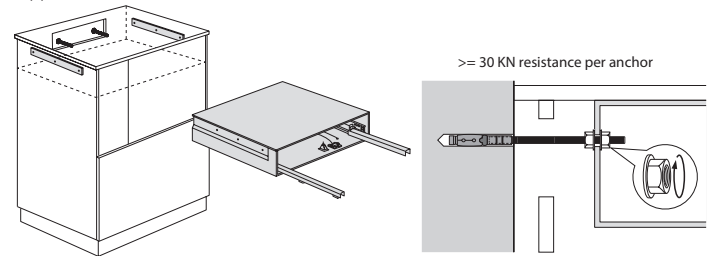


### Preparing

place appliance on flat surface and extract drawer from case (2 people needed)

### Drilling and anchoring to wall

via two M12 210 mm adjustable fixing bolts, once the case has been pushed onto the supports



### Connecting

